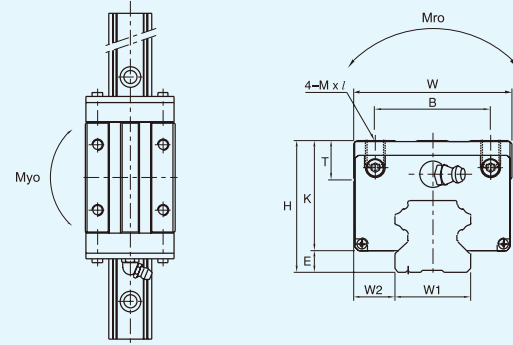


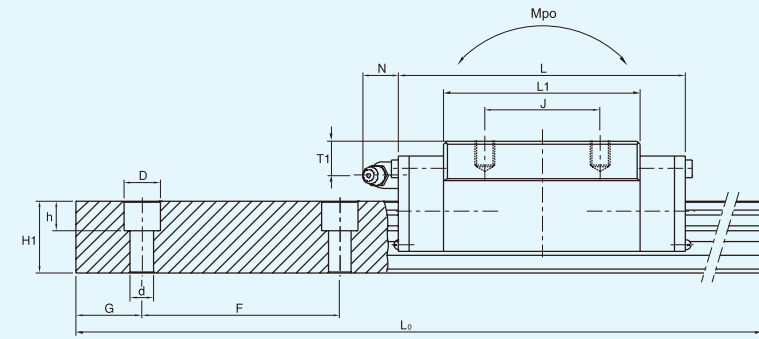
SBG - SL / SLL



寸法:mm

| 呼び番号 | 取り付け寸法 | | | | | ブロック寸法 | | | | | | | |
|------------|---------|------|------|--------|---------|----------|--------|-------|------|----|---------|------|------|
| | 高さ H | E | W2 | 幅 W | 長さ L | 取り付けタップ穴 | | L1 | K | T | ニップル | | |
| | | | | | | B×J | M×l | | | | 取付穴 | T1 | N |
| SBG 15 SL | 28 | 3 | 9.5 | 34 | 60.8 | 26×26 | M4×5 | 38.8 | 25 | 8 | φ3.5 | 8 | 5 |
| SBG 20 SL | 30 | 3.5 | 12 | 44 | 77.2 | 32×36 | M5×8 | 50.8 | 26.5 | 8 | M6×0.75 | 7 | 9.8 |
| SBG 20 SLL | 30 | 3.5 | 12 | 44 | 93.2 | 32×50 | M5×8 | 66.8 | 26.5 | 8 | M6×0.75 | 7 | 9.8 |
| SBG 25 SL | 40 | 6.5 | 12.5 | 48 | 86.9 | 35×35 | M6×8 | 59.5 | 33.5 | 12 | M6×0.75 | 10.5 | 9.8 |
| SBG 25 SLL | 40 | 6.5 | 12.5 | 48 | 106.4 | 35×50 | M6×8 | 79 | 33.5 | 12 | M6×0.75 | 10.5 | 9.8 |
| SBG 30 SL | 45 | 7 | 16 | 60 | 99 | 40×40 | M8×10 | 70.4 | 38 | 12 | M6×0.75 | 11.5 | 10.7 |
| SBG 30 SLL | 45 | 7 | 16 | 60 | 121.5 | 40×60 | M8×10 | 92.9 | 38 | 12 | M6×0.75 | 11.5 | 10.7 |
| SBG 35 SL | 55 | 7.5 | 18 | 70 | 112.6 | 50×50 | M8×12 | 80.4 | 47.5 | 15 | M6×0.75 | 16.5 | 10.7 |
| SBG 35 SLL | 55 | 7.5 | 18 | 70 | 138.1 | 50×72 | M8×12 | 105.9 | 47.5 | 15 | M6×0.75 | 16.5 | 10.7 |
| SBG 45 SL | 70 | 10 | 20.5 | 86 | 140.4 | 60×60 | M10×17 | 98 | 60 | 15 | PT 1/8 | 20.5 | 11 |
| SBG 45 SLL | 70 | 10 | 20.5 | 86 | 172.4 | 60×80 | M10×17 | 130 | 60 | 15 | PT 1/8 | 20.5 | 11 |
| SBG 55 SL | 80 | 13 | 23.5 | 100 | 164.8 | 75×75 | M12×18 | 118 | 67 | 18 | PT 1/8 | 22 | 11 |
| SBG 55 SLL | 80 | 13 | 23.5 | 100 | 202.8 | 75×95 | M12×18 | 156 | 67 | 18 | PT 1/8 | 22 | 11 |
| SBG 65 SL | 90 | 17.5 | 31.5 | 126 | 195.2 | 76×70 | M16×20 | 147 | 72.5 | 23 | PT 1/8 | 15 | 11 |
| SBG 65 SLL | 90 | 17.5 | 31.5 | 126 | 255.2 | 76×120 | M16×20 | 207 | 72.5 | 23 | PT 1/8 | 15 | 11 |

SBG - SL / SLL



寸法:mm

| レール寸法 | | | | | | 基本定格荷重 kN | | 許容モーメント kN・m | | | 重さ | |
|---------|----------|----------|-----------------|------|------------------|--------------|-------|-----------------|------|------|---------------|---------------|
| 幅 W1 | 高さ H1 | ピッチ F | 取付ボルト穴 d×D×h | G | レールの最大長 L0MAX | C | Co | Mro | Mpo | Myo | ベアリング (kg) | レール (kg/m) |
| 15 | 15 | 60 | 4.5×7.5×5.3 | 20 | 3000 | 8.33 | 13.4 | 0.07 | 0.05 | 0.05 | 0.2 | 1.45 |
| 20 | 17.5 | 60 | 6×9.5×8.5 | 20 | 4000 | 14.2 | 25 | 0.22 | 0.18 | 0.18 | 0.33 | 2.20 |
| 20 | 17.5 | 60 | 6×9.5×8.5 | 20 | 4000 | 16.9 | 36.5 | 0.28 | 0.31 | 0.31 | 0.45 | 2.20 |
| 23 | 21.8 | 60 | 7×11×9 | 20 | 4000 | 20.9 | 39.2 | 0.35 | 0.31 | 0.3 | 0.56 | 3.10 |
| 23 | 21.8 | 60 | 7×11×9 | 20 | 4000 | 24.6 | 48 | 0.43 | 0.49 | 0.48 | 0.73 | 3.10 |
| 28 | 25 | 80 | 9×14×12 | 20 | 4000 | 29.2 | 53.8 | 0.59 | 0.49 | 0.48 | 0.98 | 4.45 |
| 28 | 25 | 80 | 9×14×12 | 20 | 4000 | 35.3 | 67.9 | 0.74 | 0.79 | 0.78 | 1.28 | 4.45 |
| 34 | 29 | 80 | 9×14×12 | 20 | 4000 | 38.8 | 68.6 | 0.94 | 0.74 | 0.72 | 1.63 | 6.40 |
| 34 | 29 | 80 | 9×14×12 | 20 | 4000 | 46 | 90.4 | 1.24 | 1.3 | 1.28 | 2.12 | 6.40 |
| 45 | 38 | 105 | 14×20×17 | 22.5 | 4000 | 61.6 | 110.6 | 1.98 | 1.56 | 1.54 | 2.96 | 11.25 |
| 45 | 38 | 105 | 14×20×17 | 22.5 | 4000 | 75.5 | 138.5 | 2.45 | 2.33 | 2.3 | 3.75 | 11.25 |
| 53 | 45 | 120 | 16×23×20 | 30 | 4000 | 91.2 | 156.9 | 3.37 | 2.69 | 2.65 | 4.52 | 15.25 |
| 53 | 45 | 120 | 16×23×20 | 30 | 4000 | 111.8 | 196.6 | 4.19 | 4.05 | 3.97 | 5.68 | 15.25 |
| 63 | 58.5 | 150 | 18×26×22 | 35 | 4000 | 147.9 | 240.1 | 6.17 | 4.85 | 4.75 | 7.43 | 23.90 |
| 63 | 58.5 | 150 | 18×26×22 | 35 | 4000 | 189.1 | 320.4 | 8.18 | 8.34 | 8.14 | 12.05 | 23.90 |

C: 動定格荷重 Co: 静定格荷重